



ASSEMBLY TOOLS AND SYSTEMS



## Electric Screwdrivers

# GX Series

## Brushless

**ESD Free**  
Conductive body

**Built-in control board**  
Digital speed control  
better torque accuracy

**Overload**  
Over Voltage & Heat Protection

Trigger start and reverse button activated  
THROUGH SENSORS (Maintenance free)

Brushless Motor  
Designed for heavy duty cycle time

Clutch activated by sensors  
(No maintenance)

Shockless Clutch (GXS models)

**STANDARD FEATURES**

- ✓ Digital speed settings
- ✓ Soft start settings
- ✓ Brushless motor
- ✓ Over current & heat alarms
- ✓ Start, reverse and shut-off activated by sensors

Improve your manufacturing quality!  
Lower your maintenance cost!

60207. 4/20/OZ

2



# GX Series

30 Volts • Auto-shut off •  $\text{C}\epsilon\text{C}$  • XS-40D (FA) Controller 

0,02 to 1,2 NM



VACCUM System (Optional) •

- Higher productivity : thanks to high Brushless motor efficiency !
- Higher comfort : thanks to improved ergonomoy and reduced sound level and heat !
- Increased economy : thanks to brushless motor (triple the life time of the motor).
- Reduced maintenance : the best Mean Time Between Failure (MTBF) ever reached until now (no carbon brush, trigger and reverse contactless switches, over-heat and over-current built in alarms protecting the screwdrivers).
- Increased production quality : thanks to ESD protection, accurate clutch and Softstop clutch Mechanism.
- Noise level : <70 dBA, vibration level : <2,5 m/s<sup>2</sup>

## Micro Torque GX Series *(features SOFT STOP clutch and Digital speed setting)*

Model	Torque Range (Nm)	Speed rotation (rpm)	Starting system	Drive	Weight (Kg)	Code
GX 035 ESD	0,02 - 0,34	300 to 1100	Lever	Half moon/shank drive 4mm	0,24	4-1040077
GX 045 ESD	0,04 - 0,45	300 to 700	Lever	Half moon/shank drive 4mm	0,24	4-1040078

Suitable controller : XS-40D - To be ordered seprately - See page 17

## STANDARD Series : GX with digital speed and soft start

Model	Torque Range (Nm)	Speed rotation (rpm)	Starting system	Drive	Weight (Kg)	Code
GX 80 ESD V2	0,09 - 0,8	450 to 1000	Lever	Hex 1/4"	0,43	4-1021025
GX 120 ESD V2	0,2 - 1,2	300 to 700	Lever	Hex 1/4"	0,43	4-1021026
GX 80 P ESD V2	0,09 - 0,8	450 to 1000	Push to start	Hex 1/4"	0,43	4-1021027
GX 120 P ESD V2	0,2 - 1,2	300 to 700	Push to start	Hex 1/4"	0,43	4-1021028

Suitable controller : XS-40D - To be ordered seprately - See page 17

## SOFT STOP Series : GXS *(built-in special clutch mechanism providing soft shut-off to protect fragile parts)*

Model	Torque Range (Nm)	Speed rotation (rpm)	Starting system	Drive	Weight (Kg)	Code
GXS 80 ESD V2	0,09 - 0,8	450 to 1000	Lever	Hex 1/4"	0,43	4-1021020
GXS 120 ESD V2	0,2 - 1,2	300 to 700	Lever	Hex 1/4"	0,43	4-1021021

Suitable controller : XS-40D - To be ordered seprately - See page 17

## TIMER & AUTOREVERSE Series : GXT *(fasten at preset angle/time, Automatic Reverse/forward, stop sequence - ideal for tapping operation, helicoil fastening, pre-assembly...)*

Model	Torque Range (Nm)	Speed rotation (rpm)	Starting system	Drive	Weight (Kg)	Code
GXT 80 ESD V2	0,09 - 0,8	450 to 1000	Lever	Hex 1/4"	0,43	4-1021036
GXT 120 ESD V2	0,2 - 1,2	300 to 700	Lever	Hex 1/4"	0,43	4-1021037

Suitable controller : XS-40D - To be ordered seprately - See page 17

## FIXTURED SPINDLES Series : GXA *(for automation choose XS-40D FA controller - Code 4-1040080)*

Model	Torque Range (Nm)	Speed rotation (rpm)	Starting system	Drive	Weight (Kg)	Code
GXA 035 ESD V2	0,03 - 0,35	300 to 1100	Remote	Half moon/shank drive 4mm	0,45	4-1040079
GXA 045 ESD V2	0,04 - 0,45	300 to 700	Remote	Half moon/shank drive 4mm	0,45	4-1040076
GXA 080 ESD V2	0,1 - 0,8	450 to 1000	Remote	Hex 1/4"	0,45	4-1040074
GXA 120 ESD V2	0,2 - 1,2	300 to 700	Remote	Hex 1/4"	0,45	4-1040075

\* The whole models of this series are delivered with one tool cable (3m) + sample powerbits.

# GX-H Series

40 Volts • Auto-shut off • CE • XS-40D Controller 

0,3 to 4,4 NM



- Higher productivity : thanks to high Brushless motor efficiency !
- Higher comfort : thanks to improved ergonomoy and reduced sound level and heat !
- Increased economy : thanks to brushless motor (triple the life time of the motor).
- Reduced maintenance : the best Mean Time Between Failure (MTBF) ever reached until now (no carbon brush, trigger and reverse contactless switches, over-heat and over-current built in alarms protecting the screwdrivers).
- Increased production quality : thanks to ESD protection, accurate clutch and Softstop clutch Mechanism.
- Noise level : <70 dBA, vibration level : <2,5 m/s<sup>2</sup>

## STANDARD Series : GX with digital speed setting and soft start

Model	Torque Range (Nm)	Speed rotation (rpm)	Starting system	Drive	Weight (Kg)	Code
GX 150 ESD-H	0,3 - 1,47	800 to 1700	Lever	Hex 1/4"	0,60	4-1027477
GX 220 ESD-H	0,6 - 2,15	600 to 1200	Lever	Hex 1/4"	0,60	4-1027478
GX 450 ESD-H	1 - 4,41	300 to 600	Lever	Hex 1/4"	0,62	4-1027479
GX 150 P ESD-H	0,3 - 1,47	800 to 1700	Push to Start	Hex 1/4"	0,60	4-1027480
GX 220 P ESD-H	0,6 - 2,15	600 to 1200	Push to Start	Hex 1/4"	0,60	4-1027481
GX 450 P ESD-H	1 - 4,41	300 to 600	Push to Start	Hex 1/4"	0,62	4-1027482

Suitable controller : XS-40D - To be ordered separately - See page 17

## SOFT STOP Series : GXS *(built-in special clutch mechanism providing soft shut-off to protect fragile parts)*

Model	Torque Range (Nm)	Speed rotation (rpm)	Starting system	Drive	Weight (Kg)	Code
GXS 150 ESD-H	0,3 - 1,47	800 to 1700	Lever	Hex 1/4"	0,60	4-1027486
GXS 220 ESD-H	0,6 - 2,15	600 to 1200	Lever	Hex 1/4"	0,60	4-1027487
GXS 450 ESD-H	1 - 4,41	300 to 600	Lever	Hex 1/4"	0,62	4-1027488

Suitable controller : XS-40D - To be ordered separately - See page 17

## TIMER & AUTOREVERSE Series : GXT *(fasten at preset angle/time, Automatic Reverse/forward stop sequence - ideal for tapping operation, helicoil fastening, pre-assembly...)*

Model	Torque Range (Nm)	Speed rotation (rpm)	Starting system	Drive	Weight (Kg)	Code
GXT 150 ESD-H	0,3 - 1,47	800 to 1700	Lever	Hex 1/4"	0,60	4-1027489
GXT 220 ESD-H	0,6 - 2,15	600 to 1200	Lever	Hex 1/4"	0,60	4-1027490
GXT 450 ESD-H	1 - 4,41	300 to 600	Lever	Hex 1/4"	0,62	4-1027491

Suitable controller : XS-40D - To be ordered separately - See page 17

## FIXTURED SPINDLE FOR AUTOMATION *(for automation choose XS-40D FA controller - Code 4-1040080)*

Model	Torque Range (Nm)	Speed rotation (rpm)	Starting system	Drive	Weight (Kg)	Code
GXA 150-H	0,3 - 1,47	800 to 1700	Remote	Hex 1/4"	0,72	4-1027483
GXA 220-H	0,6 - 2,15	600 to 1200	Remote	Hex 1/4"	0,72	4-1027484
GXA 450-H	1 - 4,41	300 to 600	Remote	Hex 1/4"	0,74	4-1027485
GXA 150P-H	0,3 - 1,47	800 to 1700	Push to start	Hex 1/4"	0,79	4-1027492
GXA 220P-H	0,6 - 2,15	600 to 1200	Push to start	Hex 1/4"	0,79	4-1027493
GXA 450P-H	1 - 4,41	300 to 600	Push to start	Hex 1/4"	0,74	4-1027494

\* The whole models of this series are delivered with one tool cable (3m) + sample powerbits.



# GY Series

35 Volts • CE • XT-35D Controller 

0,7 to 9,8 NM

- Excellent ratio Weight / Ergonomy / Power
- BLDC motor (maintenance free)
- High speed from 300 to 1500 rpm (3 models)
- Designed for high production rate
- Motor efficiency 85%
- Low Noise, Low Heat, less Energy consumption
- Over Heat, Over Load, Over Voltage protection circuit with LED display
- ESD free with conductive plastic body (less than 10000 hms)
- Noise level : <70 dBA, vibration level : <2,5 m/s<sup>2</sup>



PGY 100 pistol



GY 100 ESD-G

GY 50P ESD-G

Model	Torque Range (Nm)	Speed Rotation (rpm)	Starting system	Drive	Weight (Kg)	Code
GY35 ESD-G	0,7 - 3,4	500 to 1500	Lever	Hex 1/4"	0,8	4-1064100
GY50 ESD-G	1 - 4,9	400 to 1100	Lever	Hex 1/4"	0,8	4-1064102
GY100 ESD-G	3,9 - 9,8	250 to 500	Lever	Hex 1/4"	0,85	4-1064104
GY35P ESD-G	0,7 - 3,4	500 to 1500	Push to start	Hex 1/4"	0,8	4-1064101
GY50P ESD-G	1 - 4,9	400 to 1100	Push to start	Hex 1/4"	0,8	4-1064103
GYA35 ESD-G V2	0,7 - 3,4	500 to 1500	Remote	Hex 1/4"	0,95	4-1064105
GYA50 ESD-G V2	1 - 4,9	400 to 1100	Remote	Hex 1/4"	0,95	4-1064106
GYA100 ESD-G V2	1 - 9,8	250 to 500	Remote	Hex 1/4"	0,95	4-1064107
PGY35 pistol ESD-G	0,7 - 3,4	500 to 1500	Trigger	Hex 1/4"	0,9	4-1078015
PGY50 pistol ESD-G	1 - 4,9	400 to 1100	Trigger	Hex 1/4"	0,9	4-1078016
PGY100 pistol ESD-G	1 - 9,8	250 to 500	Trigger	Hex 1/4"	0,95	4-1078017
PGY35 T pistol Top Exit ESD-G	0,7 - 3,4	500 to 1500	Trigger	Hex 1/4"	0,9	4-1078018
PGY50 T pistol Top Exit ESD-G	1 - 4,9	400 to 1100	Trigger	Hex 1/4"	0,9	4-1078019
PGY100 T pistol Top Exit ESD-G	1 - 9,8	250 to 500	Trigger	Hex 1/4"	0,95	4-1078020

\* The whole models of this series are delivered with one tool cable (3m) + sample powerbits.

# GX FS... Series

30 VDC High Speed • CE • XS-40D Controller 

0,1 to 1,8 NM

- Excellent Ergonomy (smart and small sized)
- BLDC motor (maintenance free)
- High speed from 680 - 1550 rpm (4 models)
- Motor efficiency 85%
- Low Noise, Low Heat level
- Over Heat, Over Load, Over Voltage protection circuit with LED display
- ESD free with conductive plastic body (less than 10000 hms)
- Noise level : <70 dBA, vibration level : <2,5 m/s<sup>2</sup>



Model	Torque Range (Nm)	Speed Rotation (rpm)	Starting system	Drive	Weight (Kg)	Code
GX60 FS ESD	0,1 - 0,60	1550	Lever	Hex 1/4"	0,44	4-1055960
GX80 FS ESD	0,2 - 0,80	1250	Lever	Hex 1/4"	0,44	4-1055962
GX120 FS ESD	0,3 - 1,20	1000	Lever	Hex 1/4"	0,44	4-1055964
GX180 FS ESD	0,4 - 1,80	700	Lever	Hex 1/4"	0,44	4-1055966
GX60FSP ESD	0,1 - 0,60	1550	Push to start	Hex 1/4"	0,44	4-1055961
GX80FSP ESD	0,2 - 0,80	1250	Push to start	Hex 1/4"	0,44	4-1055963
GX120FSP ESD	0,3 - 1,20	1000	Push to start	Hex 1/4"	0,44	4-1055965
GX180FSP ESD	0,4 - 1,80	700	Push to start	Hex 1/4"	0,44	4-1055967

\* The whole models of this series are delivered with one tool cable (3m) + sample powerbits.  
Suitable controller : XS-40D - To be ordered separatly - See page 17

# GX...BT Series

35 Volts • High Torque/Speed with Built-in speed and soft start selector • CE • XS-35D Controller 

1 to 9,8 NM

- Built Electronics with Embedded Speed and soft start settings
- BLDC motor (maintenance free)
- Low Noise, Low Heat, less Energy consumption
- Overt Heat, Over Load, Over Voltage protection circuit with LED display
- ESD free through bit socket grounded
- Noise level : <70 dBA, vibration level : <2,5 m/s<sup>2</sup>



Model	Torque Range (Nm)	Speed Rotation (rpm)	Starting system	Drive	Weight (Kg)	Code
GX35 BT ESD-G	1 - 3,4	700 to 1500	Lever	Hex 1/4"	0,92	4-1078005
GX50 BT ESD-G	2 - 4,9	600 to 1050	Lever	Hex 1/4"	0,92	4-1078006
GX100 BT ESD-G	4 - 9,8	150 to 550	Lever	Hex 1/4"	0,92	4-1078007

\* The whole models of this series are delivered with one tool cable (3m) + sample powerbits.  
Suitable controller : XS-35D - See page 18




# Accessories




For GX/GX-G/GX-H Series

## Screw vacuum pick up



For GX/GXA	For SD/SDA	Vacuum system
GX30 Volts V2 with torque ring access <b>4-1084103</b> GX30 Volts V2 without torque ring access <b>4-1084104</b> GX150/220 ESD-G40 Volts <b>4-1084100</b> GX450 ESD-G40 Volts <b>4-1084101</b> GXA ESD-G40 Volts <b>4-1084102</b> GXA ESD-G30 Volts <b>4-1000039</b> GX Micro <b>4-1052501</b> GX 150/220-H <b>4-1027496</b> GX 450-H <b>4-1027497</b> GXA-H <b>4-1027498</b> Vacuum pick up are delivered without the sleeve gun (on request).	SD18N/28N + SDA600/1000/18N/28N <b>4-1052502</b> SDA120/200/300 <b>4-1052503</b> SD05N/09N + SDA05N/09N4- <b>1052504</b> SD600/1500 <b>4-1052505</b> SD1000 <b>4-1052506</b> SD120/200/300 <b>4-1052507</b>	Vacuum pump DLP2570 <b>4-3004101</b> 

## Accessories

			
Designation	Torque ring cover*		Square 1/4"
Code	<b>4-1041213</b> GX 30 Volts <b>4-1041205</b> GX 40 Volts <b>4-1078800</b> GX-G 40 Volts <b>4-1027495</b> GX-H 40 Volts <b>4-1090021</b> GX035-045 <b>4-1000233</b> GX...BT, GY, PGY, GX...BT-G, GY-G, PGY-G <b>4-1077500</b> for GX...FS	Spiral cable 3,5 m <b>4-1010413</b> Standard cable 3,0 m <b>4-1041225</b> Standard cable 5,0 m <b>4-1044703</b> Reinforced cable 3,0 m <b>4-1090010</b>	Angle head kit for GX30 Volts <b>4-1000226</b> (except Micro GX) Angle head kit for GX150/220 ESD-G 40 Volts <b>4-1000302</b> Angle head kit for GX450 ESD-G 40 Volts <b>4-1000229</b> Angle head kit for GX40 Volts <b>4-1090020</b> Angle head kit for GX150/220-H <b>4-1000018</b> Angle head kit for GX450-H <b>4-1000088</b> <b>E 6,3 Hex. female 1/4" drive (quick release)</b> Angle head kit for GY-G <b>4-1033300</b> Angle head kit for GX_BT <b>4-1033301</b> <b>C 6,3 Hex. female 1/4" drive</b> Angle head kit for GX30 Volts <b>4-1000247</b> (except Micro GX) Angle head kit for GX40 Volts <b>4-1000249</b> Angle head kit for GX150/220 ESD-G 40 Volts <b>4-1000254</b> Angle head kit for GX450 ESD-G 40 Volts <b>4-1000255</b> Angle head kit for GX150/220-H <b>4-1000041</b> Angle head kit for GX450-H <b>4-1000113</b> Mounting of Angle head <b>4-1000257</b>
Designation	Programming Lock key**	Programming Lock key firmware upgrade**	
Code	<b>4-1044850</b>	<b>4-1000222</b>	

\*Not suitable with vacuum pickup.

\*\* Available only for standard series GX 30 & 40 Volts - To be ordered together.


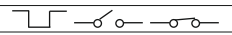

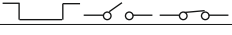
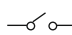
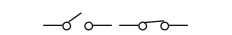
Model	Designation	Code
		
Holster <b>4-1588700</b>	Cable 5m (GY-PGY) <b>4-1078888</b> Cable 3m (GY-PGY) <b>4-1090157</b>	Pistol grip for 40 Volts <b>4-1000231</b> for GX 30 Volts (except for Micro GX and GX-FS) <b>4-1010420</b> for GX/GX-G/GX-H 40 Volts
	For mounting on reaction arm from the top	<b>4-1045804</b> for GX 30 Volts* <b>4-1045801</b> for GX/GX-G/GX-H 40 Volts <b>4-1045803</b> for GX...BT <b>4-1045800</b> for GY/HD 35 Volts <b>4-1045802</b> for HD 40 Volts <b>4-1045805</b> for GX...FS
	For mounting on reaction arm from below	<b>4-1041501</b> for GX 30 Volts*

## PLC Interface

\* Except GX Micro

	<ul style="list-style-type: none"> <li>Model U-3B</li> <li>Weight : 75g</li> <li>Size : 75(W) x 61(D) x 20(H)mm</li> <li>Type of signals :               <ul style="list-style-type: none"> <li>- open collector by optocoupler (reversed)</li> <li>- relay contact N.C</li> <li>- Relay contact N.O</li> </ul> </li> </ul>
PLC interface U-3B	
Code	<b>4-1041520</b>

Converted signals by U-3B converter from XS-40D

N°	Wire Color	Signal	XS-40D	Interface converter
1	ORANGE	Spare		
2	ORANGE STRIPE	Torque Up		
3	BLUE	Motor Run		
4	BLUE STRIPE	Common for 2&3 wire		
5	GREEN	Driver Lock		
6	GREEN STRIPE			
7	BROWN	No use		
8	BROWN STRIPE	Spare		

# Controllers

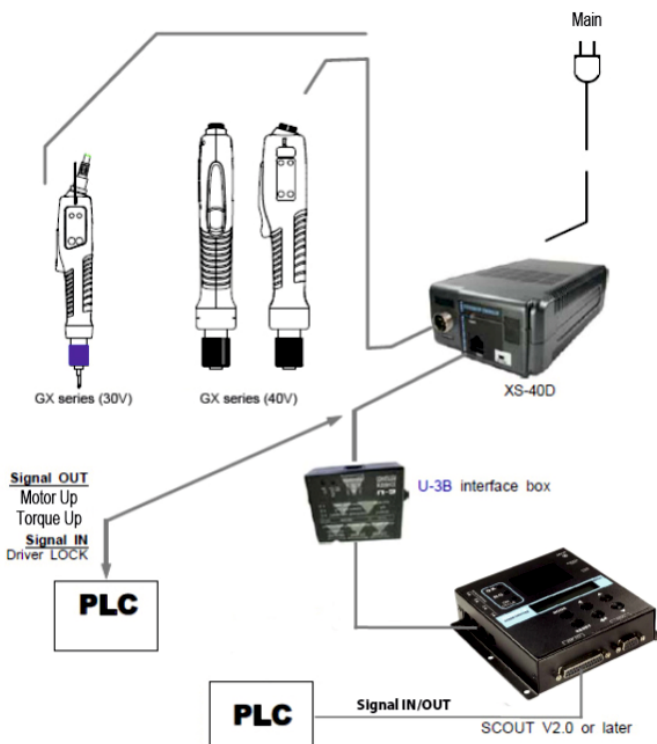
**SMPS Technology Inside!**



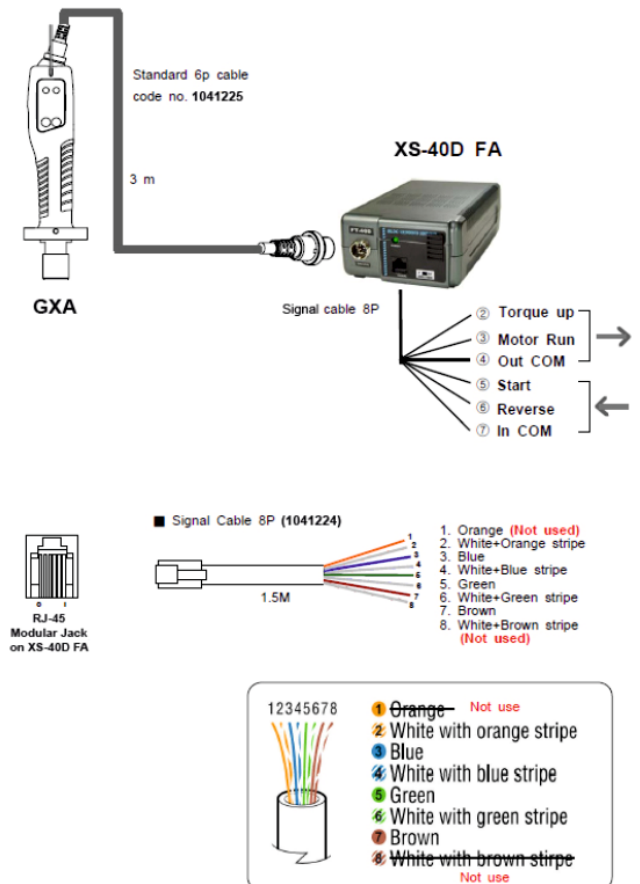
- High productivity : Thanks to the unique SMPS technology (switching modulation), the connected screwdriver always delivers constant rotation speed and fastening force even for demanding fastening process (self-tapping tightening, soft joint....).
- Comfort : Light and compact.
- Durability : Built-in Over heat and Over Current protection prevent the screwdriver from damage or bad use.
- Economy : Maintenance free.
- Quality : Easy monitoring of your fastenings thanks to torque reached signal output, start and stop signal outputs, selectable softstart, Screwdriver lock signal input for PLC (prevents screwdrivers activation until PLC input signal).

Model	Power (AC) (V)	Output voltage low (V)	Output voltage high (V)	Rated output (A)	Weight (Kg)	Size (mm)	For screwdrivers 30 and 40 Volts	Code
XS-40D	220	30	40	3	0,86	90x150x55	GX, GX-G, GX...FS/GX-H Series	4-1040065
XS-40D FA	220	30	40	3	0,86	90x150x55	GXA, GXA-G, GXA-H Series	4-1040080

## XS-40 connections



## XS-40 FA connections







# Controllers

- High productivity : Thanks to the unique SMPS technology (switching modulation), the connected screwdriver always delivers constant rotation speed and fastening force even for demanding fastening process (self-tapping tightening, soft joint....).
- Comfort : Light and compact.
- Durability : Built-in Over heat and Over Current protection prevent the screwdriver from damage or bad use.
- Economy : Maintenance free.
- Quality : Easy monitoring of your fastenings thanks to torque reached signal output, start and stop signal outputs, selectable softstart, Screwdriver lock signal input for PLC (prevents screwdrivers activation until PLC input signal).



Model	Power (AC) V	Output voltage	Rated output	Weight (Kg)	Size (mm)	For Screwdrivers	Code
XS-35D	220	35	4	1,2	130x188x65	GX... BT, GX... BT-G series	4-1077420

## XT-35D Advanced controller features

- Password protection
- Forward and Reverse Speed selectable
- Soft start for Forward and Reverse mode (from 30 to 200 Ms)
- Programmable angle
- Multi hit function for soft joint (from 1 to 10 shut off clutch)
- Multi sequence programm (as GXT model)
- Various Display Settings
- I/O interface
- RJ input for Scout II poka yoke Controller, Posi Control

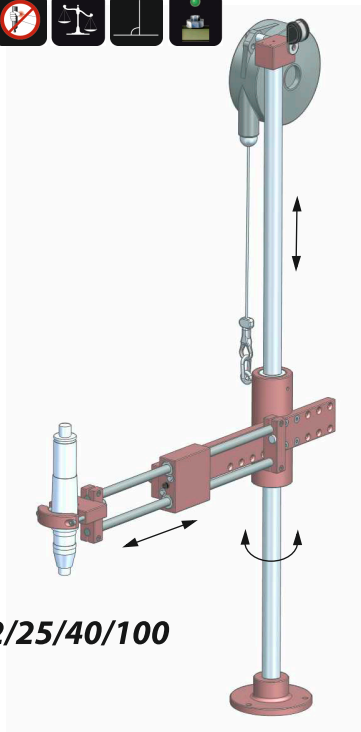


Model	Power (AC) V	Output voltage	Rated output	Weight (Kg)	Size (mm)	For Screwdrivers	Code
XT-35D	230	35	4	2,4	95x221x143	GY..., GY-G series PGY..., PGY-G series	4-1077421



## Linear Arms

### BA Series



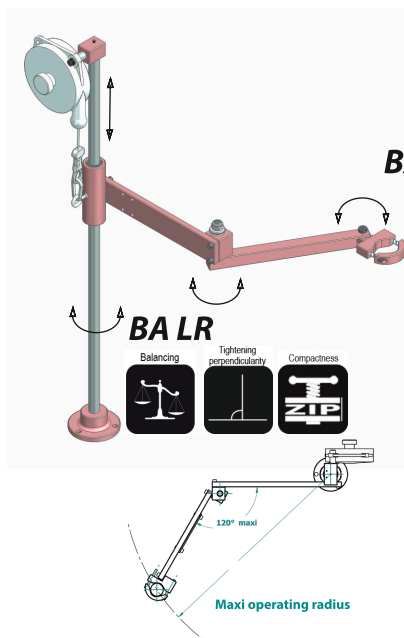
**BA 5/12/25/40/100**

Model	Torque max (Nm)	Tool Ø (mm)	Stroke	Load max (kg)	Code
BA 5	5	25 - 42	200	0,9	4-5200085
BA 12	12	27 - 50	225	1,2	4-5201000
BA 25	25	28 - 52	250	2,2	4-5200076
BA 40	40	28 - 52	295	2,2/4*	4-5200067
BA 100	100	28 - 52	325	3,5/6*	4-5200068



## Articulated reaction arms

### BA...R Series

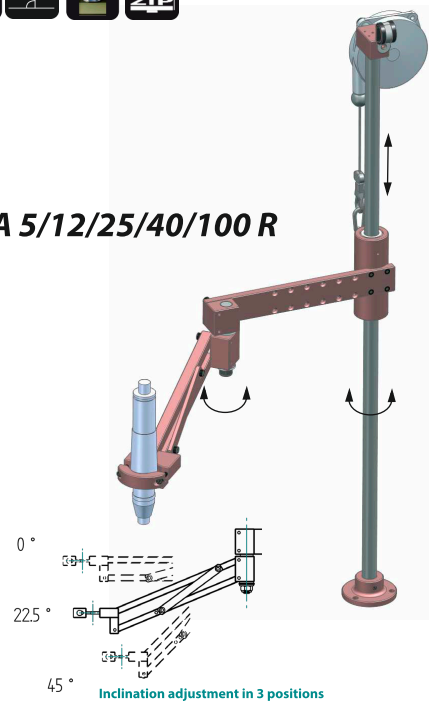


**BA LR**



Maxi operating radius

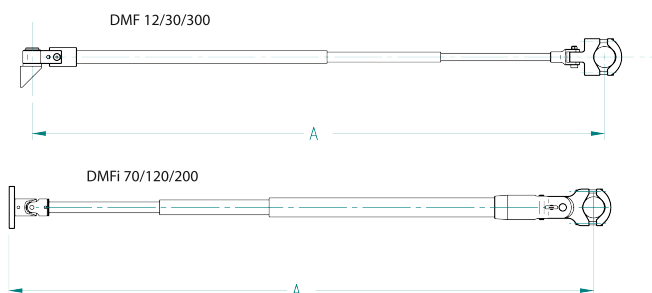
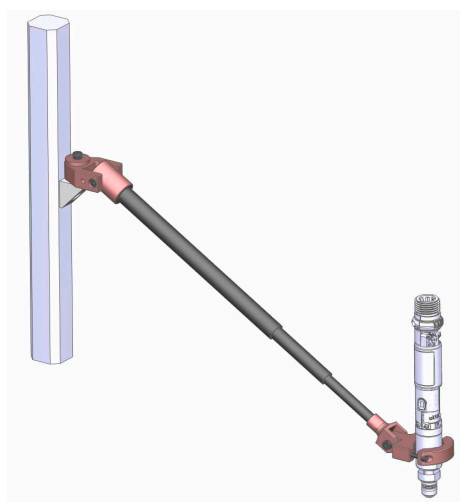
**BA 5/12/25/40/100 R**



0°  
22.5°  
45°  
Inclination adjustment in 3 positions

Model	Max torque (Nm)	Tool Ø (mm)	Max load (kg)	Max radius (mm)	Code
BA LR	-	25 - 42	0,9	450	4-5200826
BA 5 R	5	25 - 42	0,9	420	4-5200098
BA 12 R	12	27 - 50	1,2	450	4-5201001
BA 12 R	12	27 - 50	1	600	4-5201002
BA 25 R	25	28 - 52	2,2	445	4-5200070
BA 25 R	25	28 - 52	1,9	600	4-5200274
BA 25 R	25	28 - 52	1,5	800	4-5200275
BA 40 R	40	28 - 52	2,2 - 4*	630	4-5200071
BA 40 R	40	28 - 52	2 - 3,5*	800	4-5200276
BA 40 R	40	28 - 52	1,8 - 3*	1000	4-5200277

## Carbon telescoping arms



### Standard stroke

Model	Max torque (Nm)	Standard clamp	Tool Ø (mm)	A min (mm)	A max (mm)	Without clamp	Code	With clamp
DMF 5/950	5	P1	25 - 42	460	950		4-5200445	
DMF 12/950	12	P1	27 - 50	460	950		4-5201004	
DMF 12/1500	12	P1	27 - 50	650	1500		4-5201005	
DMF 12/2000	12	P1	27 - 50	820	2000		4-5201006	
DMF 30/950	30	P1	28 - 52	475	950	4-5244000	4-5200074	
DMF 30/1500	30	P1	28 - 52	656	1500	4-5244001	4-5200282	
DMF 30/2000	30	P1	28 - 52	823	2000	4-5244002	4-5200283	
DMF 30/2500	30	P1	28 - 52	993	2500	4-5244003	4-5200284	
DMF 30/3000	30	P1	28 - 52	1321	3000	4-5200813	4-5200818	
DMFi 70/1500	70	P2	35 - 52	667	1500	4-5244004	4-5244020	
DMFi 70/2000	70	P2	35 - 52	833	2000	4-5244005	4-5244021	
DMFi 70/2500	70	P2	35 - 52	1000	2500	4-5244006	4-5244022	
DMFi 70/3000	70	P2	35 - 52	1330	3000	4-5200814	4-5200819	

WE ARE A NAME THAT  
YOU CAN TRUST TO BE YOUR  
VALUE-ADDED PARTNER.  
OVER THE YEARS, OUR EXPERIENCE IN THIS  
FIELD HAS ENABLED US TO PROVIDE CLIENTS

**WITH COST-EFFECTIVE SOLUTIONS TO  
ADDRESS EFFECTIVE  
TIGHTENING STRATEGIES,  
TOOL SELECTION AND INSTALLATION.**

WE CONDUCT JOINT FAILURE ANALYSIS, AUDIT TRIALS, AND  
COMBINED WITH OUR OPERATOR TRAINING,

**WE AIM TO MAXIMIZE  
CLIENT'S WORKFLOW  
EFFICIENCY.**



☎ +386 1 42 80 120

🌐 sales@orodje-zabjek  
www.orodje-zabjek.si  
info@orodje-zabjek.si

🏢 ŽABJEK d.o.o.

Hudourniška pot 2, 1000 Ljubljana, Slovenia  
Europe

[www.orodje-zabjek.si](http://www.orodje-zabjek.si)