

TECNA[®]

Resistance Welding Systems & Balancers

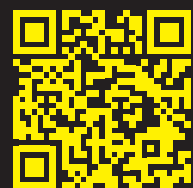
ESD PROTECTION



CE
EAC
UK
CA

General Catalogue ESD Balancers

CAPACITY 0,4 ÷ 100 kg



www.tecna.net

ESD PROTECTED AREA

EN



TECNA S.P.A. - VIA MEUCCI, 27 - CASTEL SAN PIETRO TERME

TECNA produces and distributes a complete range of BALANCERS having a capacity from 0.2 kg to 180 kg and an available standard wire stroke up to 3 meters. The TECNA BALANCER is an essential device to eliminate the operator's labour, to increase productivity by cutting down tools handling time and to improve work quality. Furthermore, the use of the TECNA BALANCERS reduces hoses and cables wear and avoids eventual damages to both people and tools.

The application of the TECNA BALANCER is absolutely versatile: it may be used for bench or assembly line works and it may be suitably applied to small tools, industrial suspended welders and multiple screw drivers. The ergonomic structure of the TECNA balancers has been designed to facilitate each application of use, ranging from movement easiness to body robustness, from simple use to lifting power.

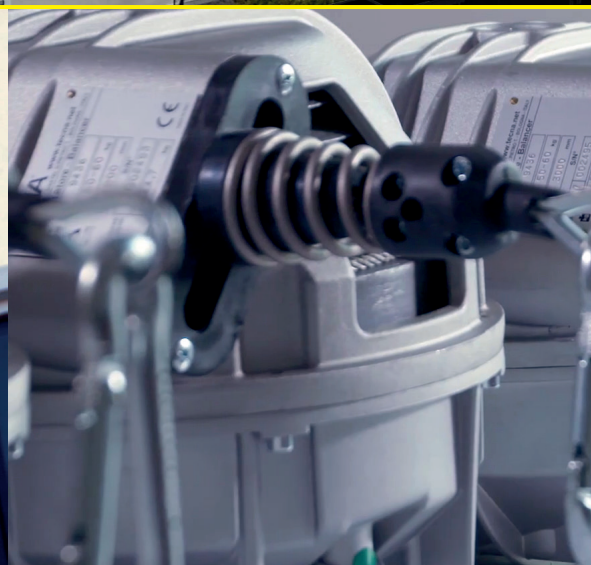
TECNA, as a primary manufacturer, realizes special as well as customized versions upon demand.



TECNA S.P.A. - VIA GR



Made in Italy





MECO, 25/27 - CASTEL SAN PIETRO TERME



DIN 15112:1979

**THE PERFECT COMPANION FOR YOUR PCB
THE PERFECT MATCH FOR YOUR TOOLS**

Certified according to
ESD-AKADEMIE®
ANSI/ESD S20.20
IEC 61340-5-1



TECNA'S COMMITMENT WITH BALANCERS
IS CONTINUOUS AND EVERGROWING

ANNOUNCING NEW PRODUCT LINE DEVELOPED FOR
ELECTRONICS ASSEMBLY AND ESD-PROTECTION APPLICATIONS



EPA - "ESD-PROTECTED AREA"

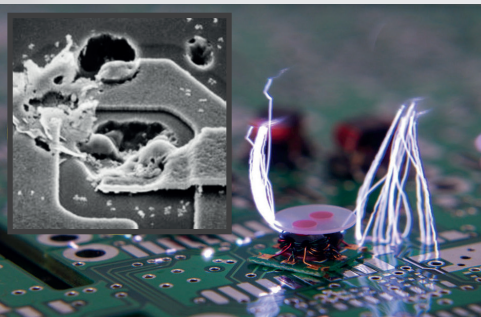
A special protection zone within the production
An ESD-protected zone (EPA) is an area in which electrostatic charges, which are often caused by static electricity, are prevented by using appropriate ESD-products.
This serves to protect against electrostatic discharge (ESD), which can damage or destroy sensitive electronic components.
Electrostatic protected areas, single ESD-workstations with the tools and equipment ESD-Safe are required in nearly the entire electronics- and semiconductor production.

ARE THE SPRING BALANCERS YOU USE ESD-SAFE?

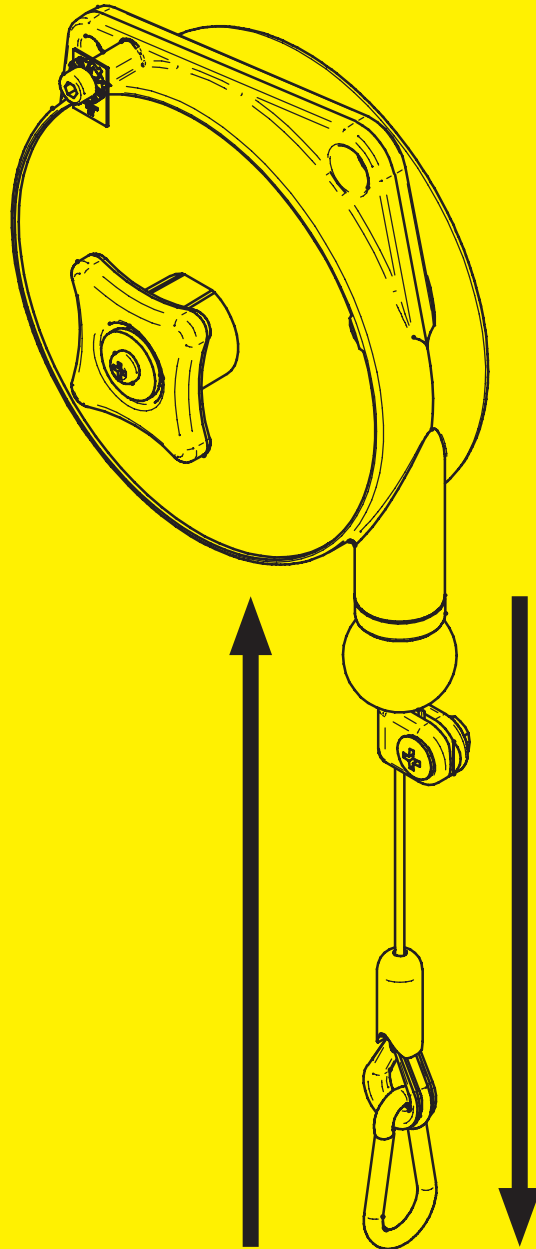
**TECNA OFFERS A COMPLETE ESD-CERTIFIED PRODUCT LINE
FROM RETRACTORS TO ZERO GRAVITY BALANCERS, UP TO
100KG LOAD CAPACITY**

ESD DAMAGE IS MOSTLY INVISIBLE TO THE NAKED EYE

Each year, an estimated \$5 billion in losses from ESD damage occur in the electronics industry alone. Recurring ESD damage can be catastrophic from a business perspective. Businesses wind up spending more to replace equipment and component than they would on basic ESD preventative products.



ATEX RETRACTORS



Use your instrument with minimum effort
When released, the load will return to its rest position



9310ES÷9313ES

01



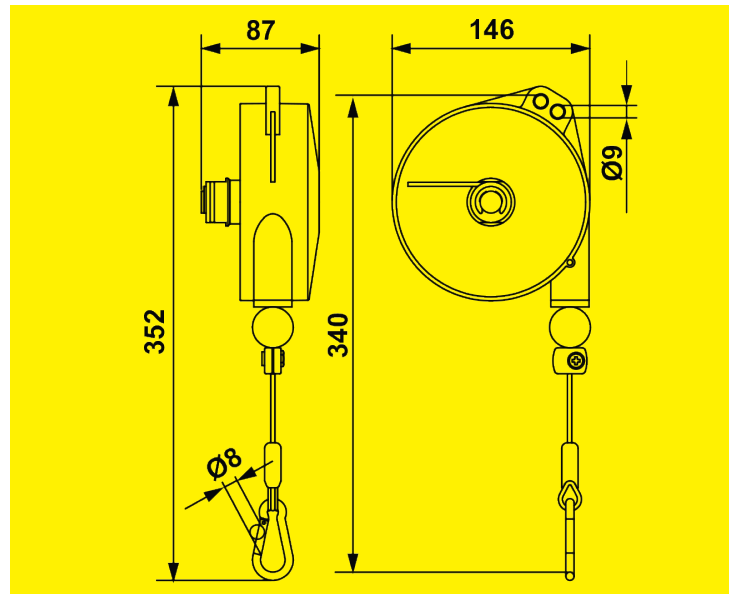
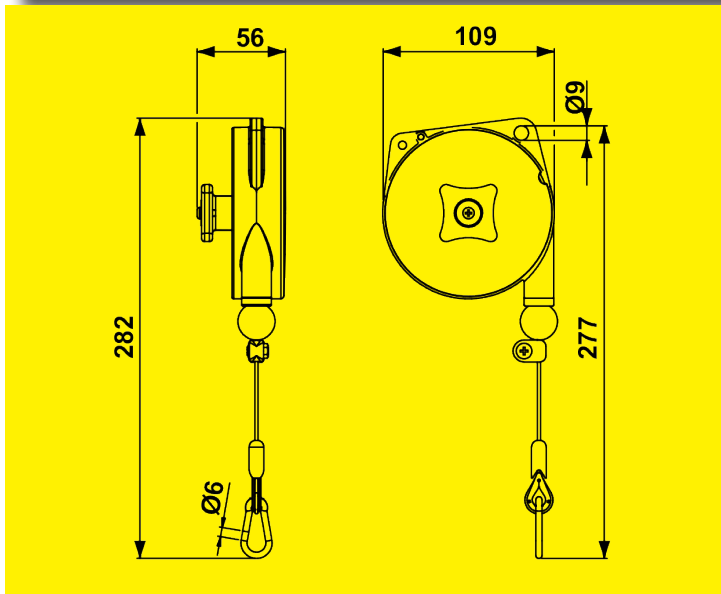
	Aluminium
	1600 mm
	Stainless Steel
	0,2÷3 kg

9320ES÷9323ES

02



	Aluminium
	2000 mm
	Stainless Steel
	1÷8 kg



Item	9310ES	9311ES	9312ES	9313ES
	0,2÷0,5	0,4÷1	1÷2	2÷3
	0,55	0,57	0,60	0,74

Item	9320ES	9321ES	9322ES	9323ES
	1÷2,5	2÷4	4÷6	6÷8
	1,67	1,90	1,98	2,28

9336LES÷9340ES

9346LES÷9350ES

03



	Aluminium
	2500 mm
	Stainless Steel
	0,5÷14 kg

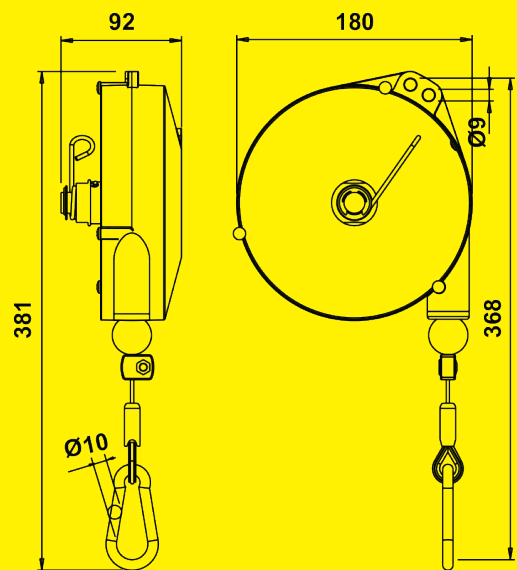
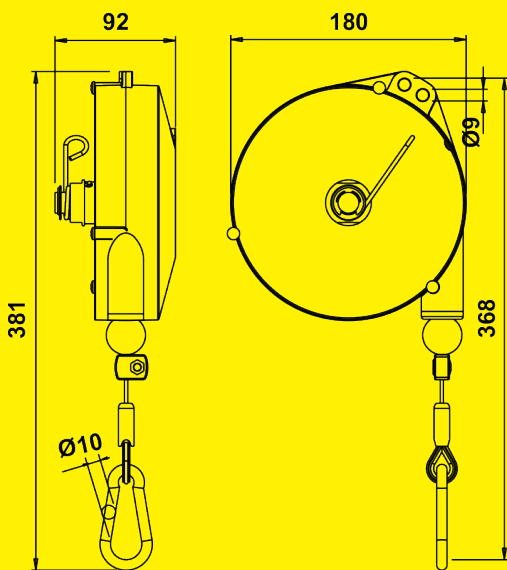
04

STOP



	Aluminium
	2500 mm
	Stainless Steel
	0,5÷14 kg

These balancers are equipped with a device enabling to stop the stroke by carrying out a simple operation on the load.



Item	9336LES	9336ES	9337ES	9338ES	9339ES	9340ES
	0,5÷2	2÷4	4÷6	6÷8	8÷10	10÷14
	3,14	3,14	3,30	3,36	3,43	3,58

Item	9346LES	9346ES	9347ES	9348ES	9349ES	9350ES
	0,5÷2	2÷4	4÷6	6÷8	8÷10	10÷14
	3,14	3,14	3,32	3,38	3,48	3,62

BALANCERS TECHNICAL FEATURES



	9310ES÷9313ES	9320ES÷9323ES	9336LES÷9340ES	9346LES÷9350ES	
kg	0,2÷3	1÷8	0,5÷14	0,5÷14	Capacity
mm	1600	2000	2500	2500	Stroke
●	●	●	●	●	Rugged construction, cast aluminium body
●	●	●	●	●	Stainless steel rope
●	●	●	●	●	Adjustable capacity
●	●	●	●	●	Safety suspension
●	●	●	●	●	Safety device against load dropping due to the spring breakage (capacity >3kg)
●	●	●	●	●	Adjustable stroke limiting device
●	●	●	●	●	Cable guide in antifriction material
●	●	●	●	●	Inert spring drum assembly
●	●	●	●	●	Polyamides thimble

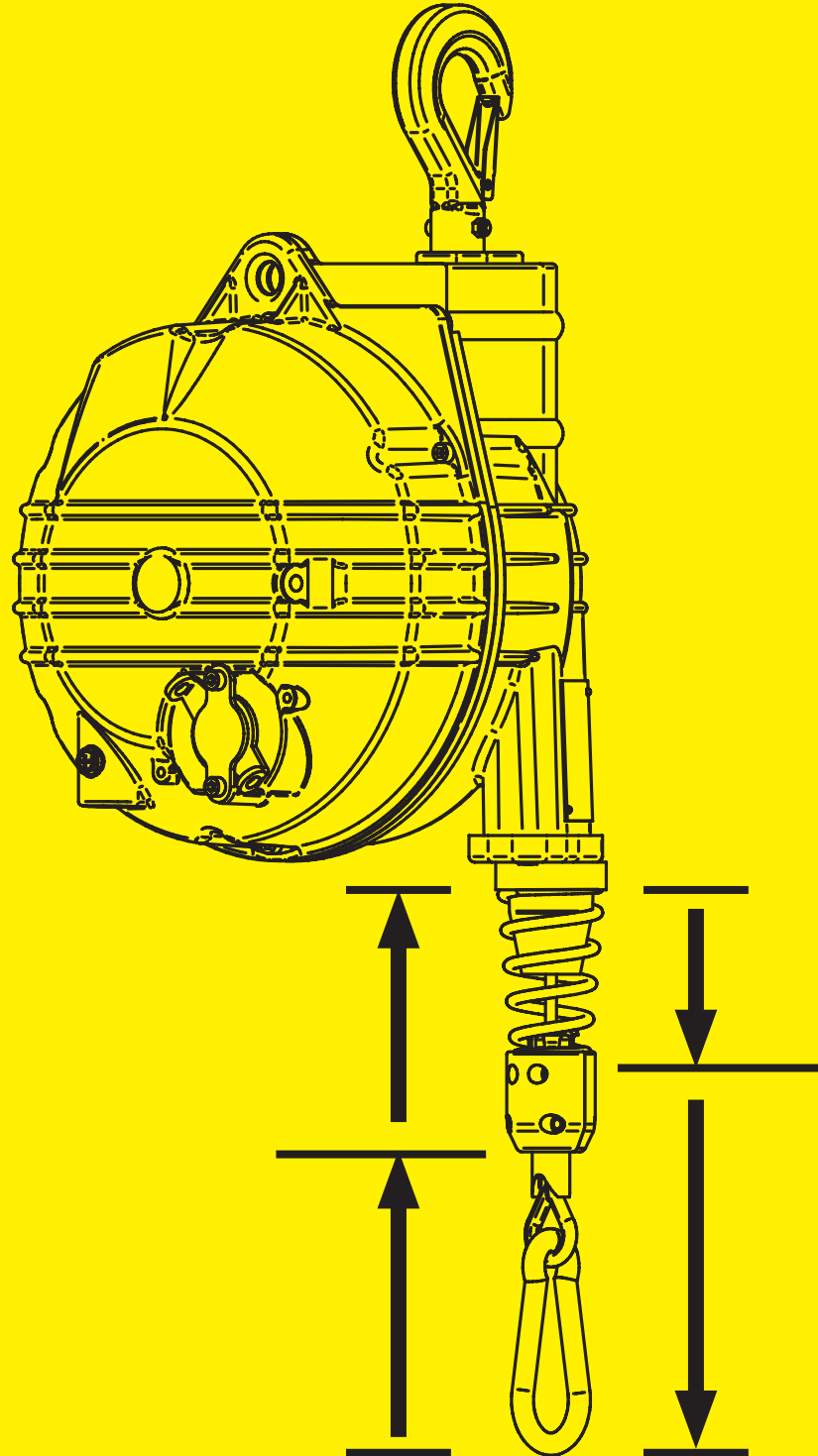
PACKAGING FEATURES



	9310ES	9311ES	9312ES	9313ES	9320ES	9321ES	9322ES	9323ES	9336LES	9336ES	9337ES
kg	0,70	0,70	0,70	0,80	1,80	2,1	2,1	2,5	3,40	3,40	3,60
mm	204x112x62	204x112x62	204x112x62	204x112x62	254x149x96	254x149x96	254x149x96	254x149x96	304x186x100	304x186x100	304x186x100
●	01	01	01	01	02	02	02	02	03	03	03
	9338ES	9339ES	9340ES	9346LES	9346ES	9347ES	9348ES	9349ES	9350ES		
kg	3,70	3,70	3,80	3,40	3,40	3,60	3,70	3,80	3,90		
mm	304x186x100	304x186x100	304x186x100	304x186x100	304x186x100	304x186x100	304x186x100	304x186x100	304x186x100		
●	03	03	03	04	04	04	04	04	04		

TECNA S.p.A. Specifications subject to change without notice.




ESD ZERO GRAVITY BALANCERS



**Use your instrument without feeling its weight
The load maintains the position where you leave it**

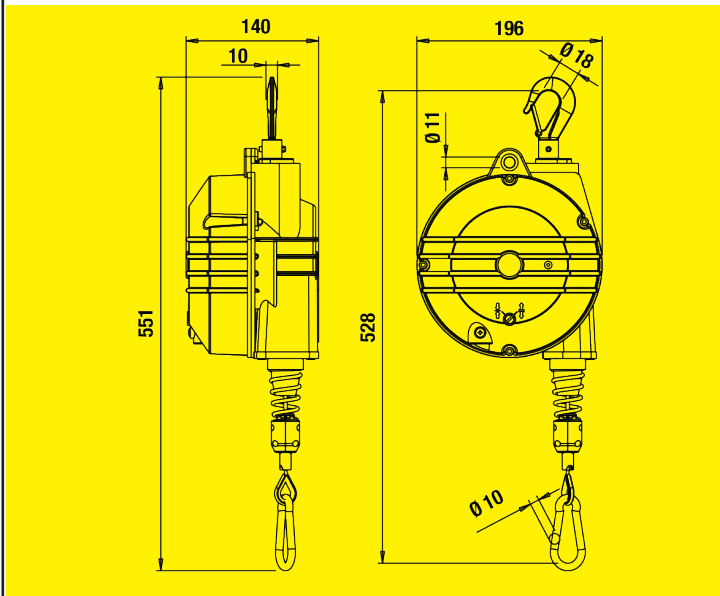




05

	Aluminium
	2000 mm
	Stainless Steel
	4÷25 kg

Option F Brake device

The balancer is equipped with a friction/brake which controls the rotation speed of the drum. This option is feasible when placing a new order while it is not possible to assemble this device on balancers already installed.



Item	9354ES	9355ES	9356ES	9357ES	9358ES	9359ES
 *	4÷7	7÷10	10÷14	14÷18	18÷22	22÷25
	4,94	5,30	5,67	6,26	5,89	6,53

06



Option RC (7270000004)
Conductive rotating hook group.

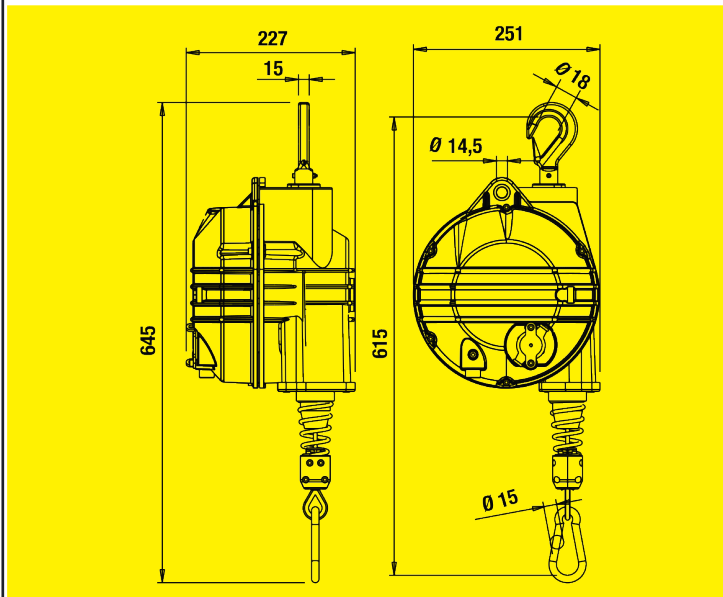


Control from the floor BC (7190000004)
Locking-unlocking device.

	Aluminium	
	2100 mm	9502ES ÷ 9509ES
	2700 mm	9520ES ÷ 9525ES
	Stainless Steel	
	12 ÷ 100 kg	

Option F Brake device

The balancer is equipped with a friction/brake which controls the rotation speed of the drum. This option is feasible when placing a new order while it is not possible to assemble this device on balancers already installed.



Option F



Item	9502ES	9503ES	9504ES	9505ES	9506ES	9507ES	9508ES	9509ES	9520ES	9521ES	9522ES	9523ES	9524ES	9525ES
*	20 ÷ 30	30 ÷ 40	40 ÷ 50	50 ÷ 60	60 ÷ 70	70 ÷ 80	80 ÷ 90	90 ÷ 100	12 ÷ 20	20 ÷ 30	30 ÷ 40	40 ÷ 50	50 ÷ 60	60 ÷ 70
	12,60	15,20	15,50	16,70	15,50	17,70	16,20	16,80	12,80	12,60	15,80	15,40	16,60	15,70

BALANCERS TECHNICAL FEATURES



	9354ES÷9359ES	9502ES÷9509ES	9520ES÷9525ES	
kg	4÷25	20÷100	12÷70	Capacity
mm	2000	2100	2700	Stroke
	●	●	●	Ribbed and sealed construction in aluminium alloy
	●	●	●	Stainless steel rope
	●	●	●	Adjustable capacity by means of a worm screw
	●	●	●	Safety suspension
	●	●	●	Safety device against load dropping due to the spring breakage (capacity >3kg)
	●	●	●	Upper rotary suspension with safety hook
	●	●	●	Locking device to block the load at any height
	●	●	●	Adjustable stroke limiting device
	●	●	●	Taper drum rotating on ball bearings
	●	●	●	Cable guide in antifriction material
	●	●	●	Rotary upper hook with ball bearing
	●	●	●	Inert spring drum assembly

ON REQUEST OPTIONS F & ACCESSORIES BC - RC

BC		●	●	7190000004: Locking-unlocking device.
RC	●	●	●	RC: Rotary hook
F	●	●	●	F: Brake device

PACKAGING FEATURES



	9354ES	9355ES	9356ES	9357ES	9358ES	9359ES	9502ES	9503ES	9504ES	9505ES	9506ES
kg	6,00	6,40	6,80	7,40	7,00	7,60	14,40	17,00	17,30	18,50	17,30
lb	13,23	14,11	14,99	16,31	15,43	16,76	31,75	37,48	31,14	40,79	38,14
mm	525x206x175	525x206x175	525x206x175	525x206x175	525x206x175	525x206x175	590x265x260	590x265x260	590x265x260	590x265x260	590x265x260
inch	16,5x8,1x6,5	16,5x8,1x6,5	16,5x8,1x6,5	16,5x8,1x6,5	16,5x8,1x6,5	16,5x8,1x6,5	17,9x10,6x11	17,9x10,6x11	17,9x10,6x11	17,9x10,6x11	17,9x10,6x11
●	05	05	05	05	05	05	06	06	06	06	06
	9507ES	9508ES	9509ES	9520ES	9521ES	9522ES	9523ES	9524ES	9525ES		
kg	19,50	18,00	18,60	14,60	14,40	17,60	17,20	18,40	17,50		
lb	43,00	39,68	41,01	32,19	31,75	38,80	38,00	40,57	38,58		
mm	590x265x260	590x265x260	590x265x260	590x265x260	590x265x260	590x265x260	590x265x260	590x265x260	590x265x260		
inch	17,9x10,6x11	17,9x10,6x11	17,9x10,6x11	17,9x10,6x11	17,9x10,6x11	17,9x10,6x11	17,9x10,6x11	17,9x10,6x11	17,9x10,6x11		
●	06	06	06	06	06	06	06	06	06		

YOU ARE IN GOOD HANDS



TECNA BALANCERS are manufactured in Italy, following the highest quality standards, built to last and to help you work with best performance and ergonomics. We make your life better. **TECNA BALANCERS** are essential in eliminating operator fatigue and injuries, increasing productivity by reducing cycle times and improving the quality of the production.

TECNA BALANCERS safeguard your tools, hoses and cables thus increasing their lifetime and your productivity.

TECNA is a leading worldwide manufacturer. Products, spare parts and assistance can be found easily anywhere and everywhere. Just contact us if you don't know a local dealer and we'll support you and guide you to the closest Tecna distributor.

Some numbers game:

Almost 6.000.000 **TECNA BALANCERS** manufactured. TECNA sells on average more than 160.000 BALANCERS per year, with more than 300 different models and possibility of further customisation. One of the most complete range of products available on the market, with load range up to 180kg (400lbs) and rope stroke up to 4,5m (14ft).

More than 2.000 hours of R&D per year are dedicated to product development for balancers. 4 registered patents. 3 new patents pending.

You are in good hands.

AND there's a lot more to TECNA than just a large structure and big numbers. There's competence, there's professionalism, there's thought, there's flexibility. There's PEOPLE. We're here to listen and to provide solutions wherever possible. We're fast, we're flexible. We can handle urgency and we can handle special requests.

TECNA BALANCERS are SAFEST.

All balancers are manufactured in conformity with the DIN 15112 Directive.

All TECNA PRODUCTS undergo thorough testing to ensure maximum safety and performance in time. Breaking load is guaranteed minimum 5 times the declared maximum load for all sensible parts.

Cables are bare, in order to ensure quick visual inspection. TECNA offers cable choice: Stainless steel, Dyneema® or Polypropylene.

Different materials on cables allow **TECNA BALANCERS** to be used in many different situations, for example where a steel cable might scratch delicate objects.

Innovation and improvement are constant and continuous.

TECNA BALANCERS behave excellently and prove their rugged sturdiness also in extreme working conditions, such as heavy duty applications, meat processing industry, outdoor conditions, as well as extremely repeating high-rate uses on assembly lines tool suspension, where long life means higher production.

TECNA was the first to develop a dedicated line with ATEX certification, suitable for use in areas with a potentially explosive atmosphere composed of flammable gases or combustible materials.

TECNA BALANCERS are good and tough and allow you to do a lot more than just suspend loads or tools. Just use them and you will see, the only limit is your creativity. And when you don't find an answer, just contact us and we'll listen. **TECNA BALANCERS** are just so good that you can forget about them... but don't forget to use them!

**9311ES÷13ES (carabiner 40mm-1.57")
EXTENSIONS CABLES Ø 2-0.08"**

(L) MM	CODE	STAINLESS STEEL ROPE	(A) - CARABINER	(L) inch
500	7260000149	7260000144	21223	19.68
1000	7260000150	7260000145	21223	39.37
2500	7260000151	7260000146	21223	98.42
3000	7260000152	7260000147	21223	118.11
5000	7260000153	7260000148	21223	196.85

**9320ES÷23ES (carabiner 60mm-2.36")
EXTENSIONS CABLES Ø 2-0.08"**

(L) MM	CODE	STAINLESS STEEL ROPE	(A) - CARABINER	(L) inch
500	7260000164	7260000144	20116	19.68
1000	7260000165	7260000145	20116	39.37
2500	7260000166	7260000146	20116	98.42
3000	7260000167	7260000147	20116	118.11
5000	7260000168	7260000148	20116	196.85

**9336LES÷50ES (carabiner 80mm-3.14")
EXTENSIONS CABLES Ø 2,5-0.10"**

(L) MM	CODE	STAINLESS STEEL ROPE	(A) - CARABINER	(L) inch
500	7260000159	7260000154	20115	19.68
1000	7260000160	7260000155	20115	39.37
2500	7260000161	7260000156	20115	98.42
3000	7260000162	7260000157	20115	118.11
5000	7260000163	7260000158	20115	196.85

**9354ES÷59ES (carabiner 80mm-3.14")
EXTENSIONS CABLES Ø 3-0.12"**

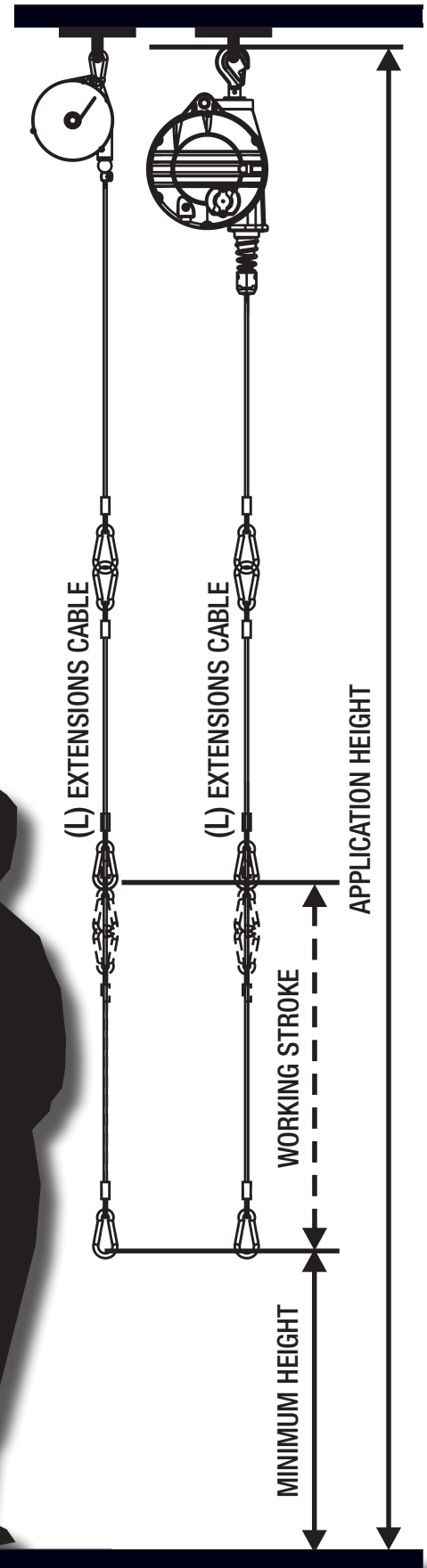
(L) MM	CODE	STAINLESS STEEL ROPE	(A) - CARABINER	(L) inch
500	72967/0,5	45870/0,5	20115	19.68
1000	72967/1	45870/1	20115	39.37
2500	72967/2,5	45870/2,5	20115	98.42
3000	72967/3	45870/3	20115	118.11
5000	72967/5	45870/5	20115	196.85

**9520ES÷25ES (carabiner 100mm-3.94")
EXTENSIONS CABLES Ø 4-0.16"**




(L) MM	CODE	STAINLESS STEEL ROPE	(A) - CARABINER	(L) inch
500	72968/0,5	45871/0,5	20132	19.68
1000	72968/1	45871/1	20132	39.37
2500	72968/2,5	45871/2,5	20132	98.42
3000	72968/3	45871/3	20132	118.11
5000	72968/5	45871/5	20132	196.85

**9502ES÷09ES (carabiner 100mm-3.94")
EXTENSIONS CABLES Ø 5-0.20"**

(L) MM	CODE	STAINLESS STEEL ROPE	(A) - CARABINER	(L) inch
500	72969/0,5	45872/0,5	20132	19.68
1000	72969/1	45872/1	20132	39.37
2500	72969/2,5	45872/2,5	20132	98.42
3000	72969/3	45872/3	20132	118.11
5000	72969/5	45872/5	20132	196.85






FOR ESD BALANCERS

ART.	G	NY	AX	ESD	IL RL						
						Kg	lb	mm	inch	Kg	lb
9300		NY				0,2÷0,5	0,44÷1,1	1600	62,99	0,43	0,95
9301		NY				0,4÷1	0,88÷2,20	1600	62,99	0,46	1,01
9302		NY				1÷2	2,20÷4,41	1600	62,99	0,49	1,08
9303		NY				2÷3	4,41÷6,61	1600	62,99	0,64	1,41
9310		NY	AX	ESD	IL	0,2÷0,5	0,44÷1,1	1600	62,99	0,55	1,21
9311		NY	AX	ESD	IL	0,4÷1	0,88÷2,20	1600	62,99	0,57	1,26
9312		NY	AX	ESD	IL	1÷2	2,20÷4,41	1600	62,99	0,60	1,32
9313		NY	AX	ESD	IL	2÷3	4,41÷6,61	1600	62,99	0,74	1,63
9320		NY	AX	ESD	IL	1÷2,5	2,20÷5,51	2000	78,74	1,67	3,68
9321		NY	AX	ESD	IL	2÷4	4,41÷8,82	2000	78,74	1,90	4,19
9322		NY	AX	ESD	IL	4÷6	8,82÷13,23	2000	78,74	1,98	4,37
9323		NY	AX	ESD	IL	6÷8	13,23÷17,63	2000	78,74	2,28	5,03
9336L		NY	AX	ESD	IL	0,5÷2	1,1÷4,41	2500	98,43	3,14	6,92
9336		NY	AX	ESD	IL	2÷4	4,41÷8,82	2500	98,43	3,14	6,92
9337		NY	AX	ESD	IL	4÷6	8,82÷13,23	2500	98,43	3,30	7,28
9338		NY	AX	ESD	IL	6÷8	13,23÷17,63	2500	98,43	3,36	7,41
9339		NY	AX	ESD	IL	8÷10	17,63÷22,05	2500	98,43	3,43	7,56
9340		NY	AX	ESD	IL	10÷14	22,05÷30,86	2500	98,43	3,58	7,89
9346L		NY	AX	ESD	IL	0,5÷2	1,1÷4,41	2500	98,43	3,14	6,92
9346		NY	AX	ESD	IL	2÷4	4,41÷8,82	2500	98,43	3,14	6,92
9347		NY	AX	ESD	IL	4÷6	8,82÷13,23	2500	98,43	3,32	7,32
9348		NY	AX	ESD	IL	6÷8	13,23÷17,63	2500	98,43	3,38	7,45
9349		NY	AX	ESD	IL	8÷10	17,63÷22,05	2500	98,43	3,48	7,67
9350		NY	AX	ESD	IL	10÷14	22,05÷30,86	2500	98,43	3,62	7,98
9354	G		AX	ESD	RL	4÷7	8,82÷15,43	2000	78,74	4,94	10,89
9355	G		AX	ESD	RL	7÷10	15,43÷22,05	2000	78,74	5,30	11,68
9356	G		AX	ESD	RL	10÷14	22,05÷30,86	2000	78,74	5,67	12,5
9357	G		AX	ESD	RL	14÷18	30,86÷39,68	2000	78,74	6,26	13,8
9358	G		AX	ESD	RL	18÷22	39,68÷48,50	2000	78,74	5,89	12,99
9359	G		AX	ESD	RL	22÷25	48,50÷55,12	2000	78,74	6,53	14,4
9361	G				RL	10÷15	22,05÷33,07	2000	78,74	9,91	21,85
9362	G				RL	15÷20	33,07÷44,10	2000	78,74	10,20	22,49
9363	G				RL	20÷25	44,10÷55,12	2000	78,74	10,48	23,1
9364	G				RL	25÷30	55,12÷66,14	2000	78,74	11,32	24,96
9365	G				RL	30÷35	66,14÷77,16	2000	78,74	11,32	24,96
9366	G				RL	35÷45	77,16÷99,21	2000	78,74	12,21	26,92
9367	G				RL	45÷55	99,21÷121,25	2000	78,74	12,21	26,92
9368	G				RL	55÷65	121,25÷143,3	2000	78,74	13,06	28,79
9369	G				RL	65÷75	143,3÷165,35	2000	78,74	13,86	30,56
9370	G					75÷90	165,35÷198,42	2000	78,74	16,84	37,13
9371	G					90÷105	198,42÷231,49	2000	78,74	17,77	39,18
9401	G					15÷20	33,07÷44,10	2500	98,43	19,67	43,36
9402	G					20÷30	44,10÷66,14	2500	98,43	21,11	46,54
9403	G					30÷40	66,14÷88,18	2500	98,43	21,11	46,54
9404	G					40÷50	88,18÷110,23	2500	98,43	22,03	48,57
9405	G					50÷60	110,23÷132,28	2500	98,43	23,07	50,86

ITEM

kg / lb - mm / inch

ART.	G	NY	AX	ESD	IL RL						
						Kg	lb	mm	inch	Kg	lb
9431	G					15÷20	33,07÷44,10	3000	118,11	19,67	43,36
9432	G					20÷25	44,10÷55,12	3000	118,11	19,67	43,36
9433	G					25÷35	55,12÷77,16	3000	118,11	21,11	46,54
9411	G				RL	60÷70	132,28÷132,28	2500	98,43	25,56	56,35
9412	G				RL	70÷80	132,28÷176,37	2500	98,43	26,75	58,97
9413	G				RL	80÷90	176,37÷198,42	2500	98,43	27,90	61,51
9414	G				RL	90÷100	198,42÷220,46	2500	98,43	28,46	62,74
9434	G				RL	35÷45	77,16÷99,21	3000	118,11	24,46	53,93
9435	G				RL	40÷50	88,18÷110,23	3000	118,11	23,65	52,14
9436	G				RL	50÷60	110,23÷132,28	3000	118,11	24,69	54,43
9441	G				RL	60÷70	132,28÷132,28	3000	118,11	25,56	56,35
9442	G				RL	70÷80	132,28÷176,37	3000	118,11	26,75	58,97
9443	G				RL	80÷90	176,37÷198,42	3000	118,11	27,90	61,51
9444	G				RL	80÷100	176,37÷220,46	3000	118,11	28,46	62,74
9422	G				RL	100÷120	220,46÷264,56	2500	98,43	36,61	80,73
9423	G				RL	120÷140	264,56÷308,65	2500	98,43	38,51	84,9
9424	G				RL	130÷150	308,65÷330,69	2500	98,43	38,83	85,61
9425	G				RL	140÷160	330,69÷352,74	2500	98,43	40,90	90,17
9426	G				RL	160÷180	352,74÷396,83	2500	98,43	43,20	95,24
9451	G				RL	100÷115	220,46÷253,53	3000	118,11	36,61	80,71
9452	G				RL	115÷130	253,53÷308,65	3000	118,11	36,77	81,06
9453	G				RL	130÷140	308,65÷330,69	3000	118,11	38,51	84,9
9454	G				RL	140÷150	330,69÷330,69	3000	118,11	38,83	85,61
9455	G				RL	150÷160	330,69÷352,74	3000	118,11	40,90	90,17
9456	G				RL	160÷180	352,74÷396,83	3000	118,11	43,20	95,24
9502			AX	ESD	RL	20÷30	44,10÷66,14	2100	82,68	12,60	27,78
9503			AX	ESD	RL	30÷40	66,14÷88,18	2100	82,68	15,20	33,51
9504			AX	ESD	RL	40÷50	88,18÷110,23	2100	82,68	15,50	34,17
9505			AX	ESD	RL	50÷60	110,23÷132,28	2100	82,68	16,70	36,82
9506			AX	ESD	RL	60÷70	132,28÷132,28	2100	82,68	15,50	34,17
9507			AX	ESD	RL	70÷80	132,28÷176,37	2100	82,68	17,70	39,02
9508			AX	ESD	RL	80÷90	176,37÷198,42	2100	82,68	16,20	35,71
9509			AX	ESD	RL	80÷100	176,37÷220,46	2100	82,68	16,80	37,04
9520			AX	ESD	RL	12÷20	26,46÷44,10	2700	106,3	12,80	28,22
9521			AX	ESD	RL	20÷30	44,10÷66,14	2700	106,3	12,60	27,78
9522			AX	ESD	RL	30÷40	66,14÷88,18	2700	106,3	15,80	34,83
9523			AX	ESD	RL	40÷50	88,18÷110,23	2700	106,3	15,40	33,95
9524			AX	ESD	RL	50÷60	110,23÷132,28	2700	106,3	16,60	36,6
9525			AX	ESD	RL	60÷70	132,28÷132,28	2700	106,3	15,70	34,61
9200						0,4÷0,8	0,88÷1,76	1350	53,15	1,10	2,43
9201						0,75÷1,5	1,65÷3,31	1350	53,15	1,10	2,43
9202						1,2÷2,5	2,65÷5,51	1350	53,15	1,30	2,87
9203						3÷5	6,61÷11,02	900	35,43	1,30	2,87

APPLICATION LIST

PNEUMATICS

STITCHERS (Fabrics)

SCREWERS

DRILL

HAMMERS

EMERY

SANDERS

STAPLERS

RIVETERS

MARKING

STRAPPING

PACKAGING End Line

WOOD PACKAGING

INCORPORATED TRANSFORMER

WOOD - IRON

POWER

WELDING GUNS

SCREWERS

RIVETERS

STAPLERS

STRAPPING

SAWS

DRILL

EMERY

SANDERS

SEWERS

1. POWER TOOLS
2. AIR TOOLS
3. HIGH PRESSURE FLOOR POLISHER / CLEANING EQUIPMENT
4. STAPLING MACHINES
5. GUNS / AIRBRUSHES FOR SPRAY PAINT
6. SCREW GUNS
7. CUTTING MACHINES
8. NAILING MACHINES
9. TYING TOOLS FOR CABLES
10. SOLDERING IRONS
11. MARKER MACHINES
12. RIVETERS
13. MACHINES FOR CELLARS
14. BOTTLING MACHINES
15. SHEET WELDING MACHINES
16. PUSH-BUTTON PANELS FOR CRANES
17. SUCTION SYSTEMS
18. EXHAUST GAS / COMBUSTION HOSES
19. ADJUSTABLE ARMS
20. ROBOT SUPPLY CABLES
21. X-RAY TOOLS & MEDICAL EQUIPMENT
22. ROBOT FOR DIMENSIONAL CONTROL

HYDRAULIC

RIVETERS

CLINCIATRICI

HYDRAULIC WRENCHES

SEPARATE TRANSFORMER

PACKING CARTONS

SLAUGHTER

SPECIAL APPLICATIONS

IRONS

VACUUM CLEANERS

SPORTS TOOLS

CLOSE DOOR

CABLE GUIDE

FUEL PUMPS

GARDENING

LEATHER PROCESSING

EV CHARGING STATIONS

FOOD&MEAT PROCESSING

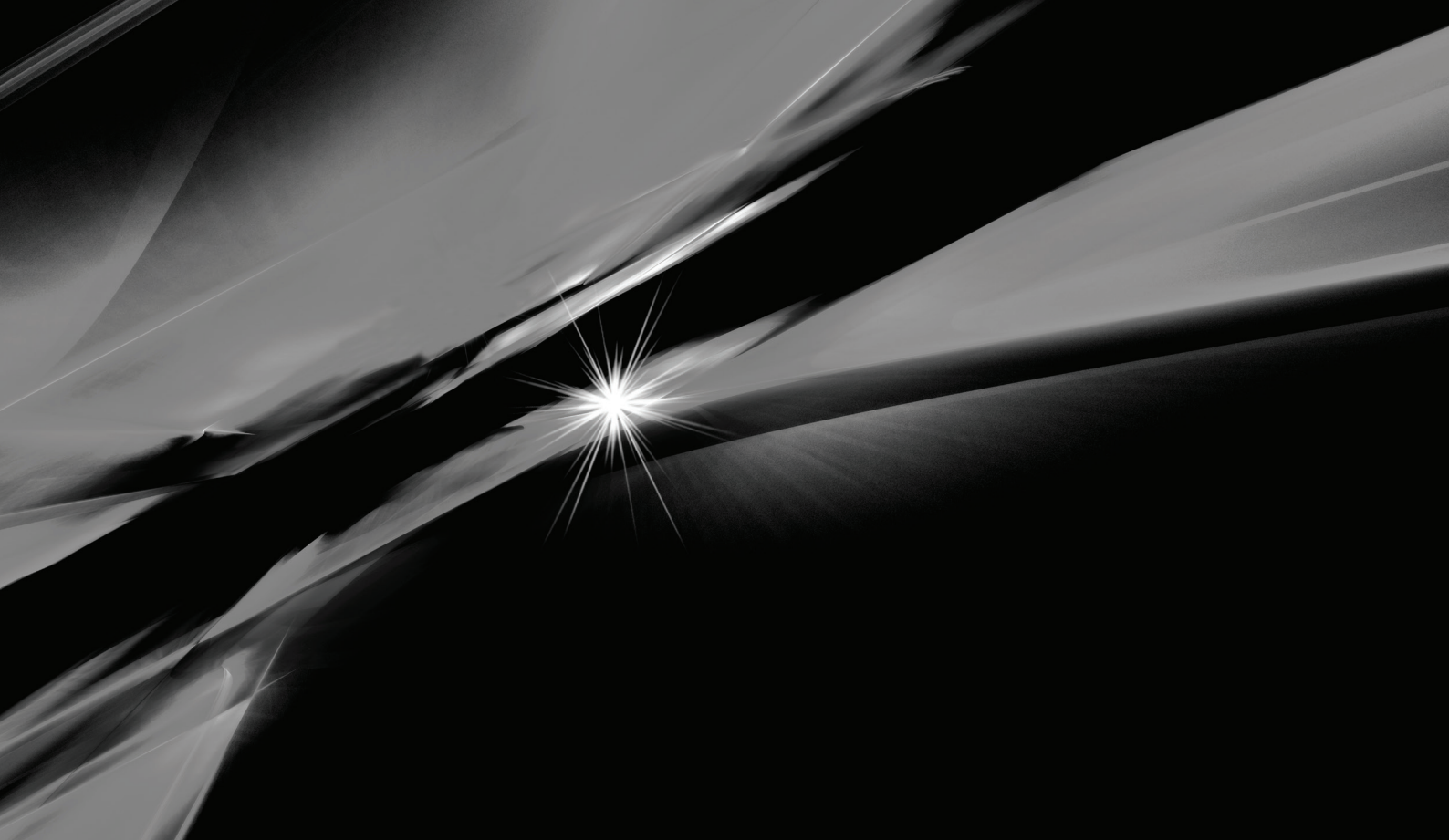
ROBOTICS & AUTOMATION

LOGISTICS

TANK WASHING

23. TOOLS FOR SLAUGHTERHOUSES
24. TOOLS FOR WORKING THE ROCKS
25. CONVEYOR BELTS AND RAILS
26. POWER SUPPLY BUSBARS
27. TOOLS FOR WORKING WOOD
28. SUBMERSIBLE PUMPS AND STIRRERS
29. INDUSTRIAL SEWING MACHINES
30. TOOLS FOR PACKING
31. WELDING GUNS
32. WELDING JIGS
33. CALLIPERS FOR HOLES AND MICROMETERS
34. CABLE HOLDER IN ELECTRIC CABINS
35. MONITOR SUSPENSION
36. PIPES FOR PETROL PUMPS
37. HOSES FOR GAS PUMPS
38. FILLING MACHINES FOR THE FOOD INDUSTRY
39. SUSPENSION OF EQUIPMENT FOR LEATHER PROCESSING
40. ELECTRICAL AND PNEUMATIC STAPLERS
41. AIRBRUSHES AND GUNS FOR PAINTING
42. RIVETERS
43. STRAPPING
44. PHOTOGRAPHY/CINEMA/THEATRE
45. REHAB EQUIPMENT

... for all kind
of tools



TECNA®

Resistance Welding Systems & Balancers

GPS N44° 24' 24" - E11° 35' 13"



Via Meucci, 27
40024 - Castel San Pietro Terme (BO)
Italy

Tel. +39 051 695 4411
Fax +39 051 654 4490

www.tecna.net
vendite@tecna.net
sales@tecna.net