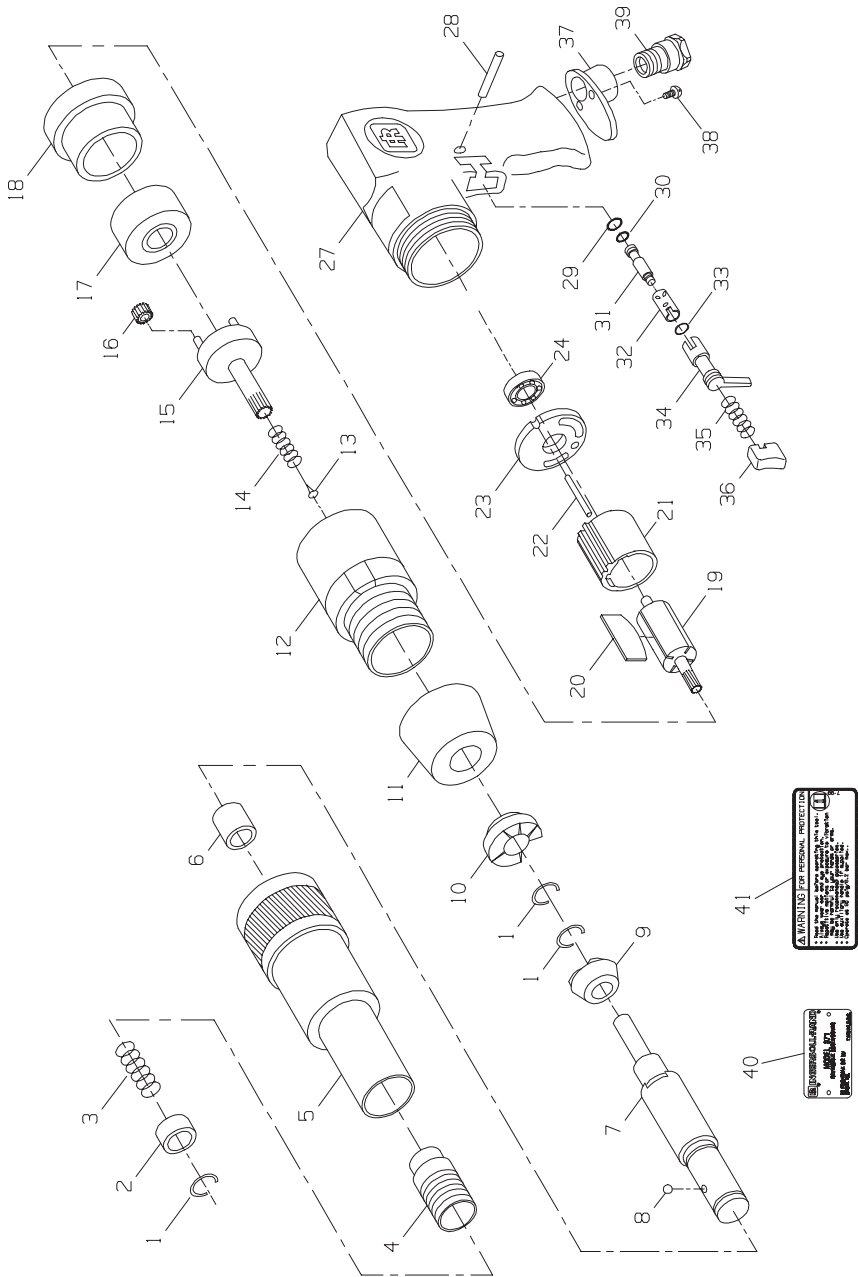


371 Reversible Screwdriver Exploded Diagram



(Dwg. TPB1007-1)



www.irtools.com
 © 2005 Ingersoll-Rand Company

Form 03541455
 Edition 7
 May 2005

371 Reversible Screwdriver Parts List

Item	Part Description	Part Number	Item	Part Description	Part Number
1	Retaining Ring (3)	LA412-1	21	Cylinder	LA412-3
2	Washer	LA412-2	22	Dowel Pin	LA412-98
3	Spring	LA412-4	23	Rear End Plate	LA412-12
4	Bit Retaining Sleeve	LA412-931	24	Bearing	LA412-61
5	Clutch Housing	LA412-580	27	Motor Housing	LA412-40
6	Clutch Bushing	LA412-19	28	Pin	LA412-64
7	Bit Holder	LA412-20	29	O-Ring	LA412-65
8	Bit Retaining Ball	LA412-13	30	O-Ring	LA412-66
9	Front Clutch Jaw	LA412-589	31	Throttle Valve	LA412-302
10	Rear Clutch Jaw	LA412-588	32	Reverse Valve Bushing	LA412-330
11	Bearing	LA412-22	33	O-Ring	LA412-67
12	Gear Case	LA412-37	34	Reverse Valve	LA412-329
13	Clutch Guide	LA412-24	35	Valve Spring	LA412-51
14	Clutch Spring	LA412-583	36	Trigger	LA412-93
15	Gear Frame	LA412-191	37	Exhaust Adapter	LA412-123
16	Planet Gear (3)	LA412-10	38	Screws (2)	LA412-70
17	Bearing	LA412-97	39	Air Inlet	LA412-565
18	Front End Plate	LA412-11	40	Nameplate	371-301
19	Rotor	LA412-53	41	Warning Label	WARNING-7-99
20	Vane (set of 5)	LA412-42-5			

Parts and Maintenance

When the life of the tool has expired, it is recommended that the tool be disassembled, degreased and parts be separated by material so that they can be recycled.

Tool repair and maintenance should only be carried out by an authorized Service Center.
Refer all communications to the nearest **Ingersoll-Rand** Office or Distributor.

Related Documentation

For additional information refer to:
Product Safety Information Manual 04585006,
Product Information Manual 80160179.

Manuals can be downloaded from www.irtools.com.