

## HAND BEVELER Model HB-15B *Chamfering up to 15C*



- Ideal for plate, pipe, and tube beveling for welding preparation
- Uses easy-to-replace indexable inserts
- Indexable inserts have four working edges for good economy
- Finishes a surface so fine that post-sanding is unnecessary
- Column R-section can be chamfered with optional attachment
- High speed cutting action minimizes material hardening

**Specifications**

Model	HB-15B	
Power Source (Single phase)	115 V AC, 50/60 Hz	230 V AC, 50/60 Hz
Rated Power Consumption	W 910	910
Rated Current	A 10.5	4
No-load Speed	min <sup>-1</sup> (rpm) 3,340	2,750
Chamfering Capacity (Mild Steel)	0C - 15C	
Chamfer Angle	15° - 45°	
Mass (Weight)	kg 14	

**Accessories Included**

- 4 mm Hex. Socket Screw Key
- 5 mm Hex. Socket Screw Key
- 6 mm Hex. Socket Screw Key
- Spanner 24 × 27
- Hook Spanner 25 – 28
- 3 mm T Wrench Key
- 1 set (12 pieces/set) of TA9A093 Indexable Insert 12.7 sq.

**Optional accessories**

- TA9A728 Pipe Plate Ass'y Capacity 125 to 800 mm O.D.

**Chamfer angle and width**

Chamfer Angle α	HB-15B Mild Steel(mm)		Chamfer	X	Y	Straight
	X	Y				
45°	15	15				
30°	9	15.5				
15°	4	15.4				

Handy Electric Chamfering Tool

## MINI BEVELER Model MB-03A



**Compact and light for speed chamfering**

- An outer R-part attachment allows chamfering of outer diameters with a radius greater than 170 mm
- An optional inner head ass'y allows chamfering a pipe of inner diameter larger than 100 mm (50R)

**Specifications**

Model	MB-03A	
Power Supply (Single phase)	115 V AC, 50/60 Hz	230 V AC, 50/60 Hz
Rated Power Consumption	W 430	
Rated Current	A 2 / 4.5	
Chamfering Capacity (Mild Steel)	Up to 3 mm Chamfer or 2 mm and 3 mm Radius	
Chamfer Angle	min <sup>-1</sup> (rpm) 45°	
Rated Revolutions	kg 7,100	
Mass (Weight)	2.5	

**Accessories Included**

- 3 mm Hex. Socket Screw Key
- 4 mm Hex. Socket Screw Key
- Spanner T-9F

**Optional accessories**

- TA9A386 Indexable Insert 9.525 (10 pcs./set)
- TA9A592 Indexable Insert 9.525 2R (10 pcs./set)
- TA9A638 Indexable Insert 9.525 3R (10 pcs./set)
- TA9A594 Inner Head Ass'y

**Chamfer angle, width and radius**

Chamfer Angle α	MB-03A Mild Steel(mm)		Chamfer	X	Y	Straight	
	X	Y					
45°	3	3					
		Radius					Round
Model	MB-03A						
Material	Mild Steel						
Radius(mm)	2, 3						

# CHAMFERING PORTABLE CHAMFERING TOOLS MINI BEVELER/CIRCUIT BEVELER

Handy Electric Chamfering Tool

## MINI BEVELER Model EMB-0307B

Double insulation



- Stainless Steel
- 3C
- 4R
- Mild Steel
- 7C
- 4R



- Ideal for edge beveling pipe, tube, and plate
- Designed to bevel stainless and mild steel
- Adjustable to bevel angles 15°- 45°
- Bevel width up to 7 mm on mild steel.
- Uses indexable carbide inserts
- Swarf and chip collection box included

### Specifications

Model	EMB-0307B
Power Supply	220 V - 240 V AC, 50/60 Hz
Rated Power Consumption W	1010
Rated Current A	4.6
Rated Duty	Continuous
No-load Speed min <sup>-1</sup> (rpm)	11,000
Chamfering Capacity	Mild Steel: Up to 7 mm Chamfer or 2, 3, 4 mm Radius Stainless Steel: Up to 3 mm Chamfer or 2, 3, 4 mm Radius
Chamfer Angle m	15 - 45 Degrees
Power Cord Length kg	4.0
Mass (Weight)	3.9

### Chamfer angle, width and radius

Chamfer Angle α	EMB-0307B				Chamfer
	Stainless Steel(mm)		Mild Steel(mm)		
	X	Y	X	Y	
45°	3	3	7	7	Straight
30°	2.2	3.8	3.8	6.6	
15°	1	3.8	1.5	5.6	

Model	EMB-0307B		Radius
Material	Stainless Steel	Mild Steel	
Radius(mm)	2, 3, 4	2, 3, 4	Round

### Accessories Included

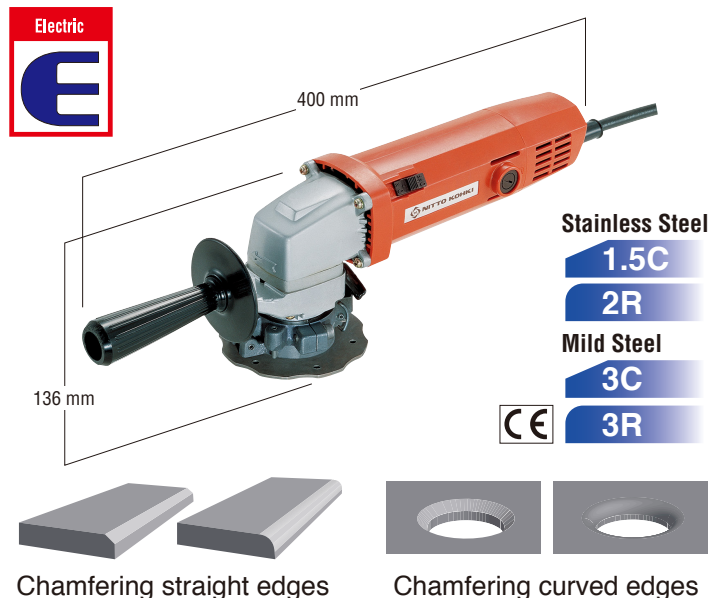
- Carbon Brush Ass'y
- 4 mm Hex. Wrench Key
- Indexable Insert with Hole 12.7
- Indexable Insert Set Screw 4 × 7
- Dust Box Ass'y
- 2 pieces of Hex. Nut M8
- 2 pieces of 8 × 25 mm Hex. Socket Set Screw
- Spanner T-15D
- 3 pieces of Pan Head Screw 5 × 10

Electric Radial Chamfering Tool

## CIRCUIT BEVELER Model ECB-0203

Double insulation

Smoothly chamfering straight and curved edges



- Stainless Steel
- 1.5C
- 2R
- Mild Steel
- 3C
- 3R



- Designed to bevel stainless and mild steel
- Minimum chamfering plate thickness is 2 mm (Max. 0.5 mm Chamfer)
- Indexable inserts have four working edges for good economy
- An optional straight plate allows chamfering a straight edge shoulder

### Specifications

Model	ECB-0203
Power Supply	220 V - 240 V AC, 50/60 Hz
Rated Power Consumption W	450
Rated Duty min	30
No-load Speed min <sup>-1</sup> (rpm)	11,000
Chamfering Capacity	Mild Steel: Up to 3 mm Chamfer or 2* and 3* mm Radius Stainless Steel: Up to 1.5 mm Chamfer or 2* mm Radius
Chamfer Angle	45°
Power Cord Length m	2.5
Mass (Weight) kg	2.5

\*: In case of 3 mm Radius, an optional indexable insert for 3R is necessary, and 2 mm Radius, an optional guide sleeve 24 mm dia. and indexable insert for 2R are necessary.

### Accessories Included

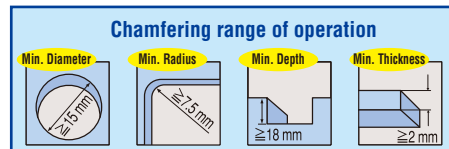
- Indexable Insert with Hole 12.7
- Indexable Insert Set Screw
- 5 mm Hex. Socket Screw Key
- Spanner 8 × 10
- Spanner T-15D
- Sub Handle
- Grip Guard
- Ball Bearing 687zz
- Gauge C3

### Chamfer angle, width and radius

Chamfer Angle α	ECB-0203				Chamfer
	Stainless Steel		Mild Steel(mm)		
	X	Y	X	Y	
45°	1.5	1.5	3	3	Straight

Model	ECB-0203		Radius
Material	Stainless Steel	Mild Steel	
Radius(mm)	2	2, 3	Round





# CHAMFERING

# PORTABLE CHAMFERING TOOLS

# CIRCUIT BEVELER

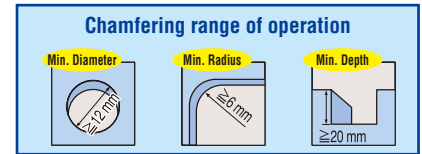
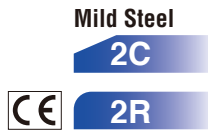
Pneumatic Radial Chamfering Tool

## CIRCUIT BEVELER Model CB-02



### Features

- Uniquely designed to bevel circular, elliptical and straight line profiles
- Bevels exterior and/or interior edges
- Depth gauge provided to accurately set bevel widths



### Chamfer angle, width and radius

Chamfer Angle $\alpha$	CB-02		Chamfer	X	Y	$\alpha$	Straight
	Mild Steel (mm)						
45°	X	Y					
	2	2					

Model	CB-02	Radius	Round
Material	Mild Steel		
Radius (mm)	2		

### Specifications

Model		CB-02
Air Pressure	MPa (kgf/cm <sup>2</sup> )	0.6 (6)
Air Consumption (No load)	m <sup>3</sup> /min	0.4
Free Speed	min <sup>-1</sup> (rpm)	13,000
Chamfering Capacity		Up to 2mm Chamfer or 2 mm Radius
Chamfer Angle		45°
Mass (Weight)	kg	1.8

### Accessories Included

- Indexable Insert
- Adjustment gauge
- Spanner T-9F
- Protective cap
- Hook Spanner 58-62
- Bushing R 1/4 × NPT 1/4

### Optional Accessories

- TA9A386 : Indexable Insert 9.525 (10 pcs./set)
- TA9A592 : Indexable insert 9.525 R2 (10 pcs./set)

Pneumatic Radial Chamfering Tool

## CIRCUIT BEVELER Model CBR-03

For Bridge and Shipbuilding Applications



### Bridge

- Radius chamfering on the scallop parts or holes of bridge members

### Shipbuilding

- Meets or exceeds PSPC\* requirements on surface preparation of steel materials prior to coating
- Radius chamfering on steel materials used in seawater ballast tanks and double-side skin bulk carrier production
- Dual cutting head with 4 radius surfaces per tip and a quick-change base

\* PSPC stands for Performance Standard for Protective Coatings regulated by International Marine Organization.



### Specifications

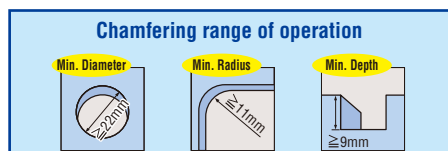
Model		CBR-03
Air Pressure	MPa (kgf/cm <sup>2</sup> )	0.6 (6)
Air Consumption (No load)	m <sup>3</sup> /min	0.65
Free Speed	min <sup>-1</sup>	12,000
Chamfering Capacity	mm	3 mm Radius
Chamfer Angle		45°
Mass (Weight)	kg	2.2 (including hose)

### Accessories Included

- 2 pieces of indexable insert (installed)
- Torx Driver
- Insert Setscrew
- Handle

### Chamfer radius

Model	CBR-03	Radius	Round
Material	Mild Steel		
Radius (mm)	3		





	PN	Description	Sales Unit	Application model	Remarks
	TB09097	Indexable Insert 8.4	10 pcs./set	CB-01	
	TB09338	Indexable Insert 8.4 for Stainless Steel	10 pcs./set	CB-01	
	TA9A093	Indexable Insert 12.7	12 pcs./set	HB-15B	
	TB01159	Indexable Insert 12.7 with hole	10 pcs./set	EMB-0307B, AMB-0307, AMBL-0307, ECB-0203	
	TB01791	Indexable Insert 12.7 R2	10 pcs./set	EMB-0307B, AMB-0307, AMBL-0307, ECB-0203	
	TB01651	Indexable Insert 12.7 R3	10 pcs./set	EMB-0307B, AMB-0307, AMBL-0307, ECB-0203	
	TB01790	Indexable Insert 12.7 R4	10 pcs./set	EMB-0307B, AMB-0307, AMBL-0307	
	TB09018	Indexable Insert 12.7 R3	10 pcs./set	CBR-03	
	TA9A386	Indexable Insert 9.525	10 pcs./set	MB-03A, CB-02	
	TA9A592	Indexable Insert 9.525 R2	10 pcs./set	MB-03A, CB-02, ECB-02	
	TA9A638	Indexable Insert 9.525 R3	10 pcs./set	MB-03A	
	TB09143	Plate Assembly for Straight Edge Use	1 set	CB-01	
	TB09140	Guide Plate 78 Assembly	1 set	CB-01	
	TA9A728	Plate Assembly for Pipe	1 set	HB-15B	For pipe 125 - 800 mm dia.
	TB02539	Attachment for Small Dia. Pipe	1 set	EMB-0307B, AMB-0307, AMBL-0307	For pipe 80 - 200 mm dia.
	TA9A594	Inner Head Assembly	1 set	MB-03A	For min. 100 mm dia.
	TB02857	Guide sleeve 24 mm dia. Assembly	1 set	ECB-0203	For chamfering R2
	TB03097	Plate Assembly for Straight Line Use	1 set	ECB-0203	
	TB02862	Dust Box Assembly	1 set	ECB-0203	Used with Plate Ass'y for straight line use
	TB03424	Spanner T-9D	1 pc.	MB-03A, CB-02	
	TQ01683	Spanner T-15D	1 pc.	EMB-0307B, AMB-0307, AMBL-0307, ECB-0203	

# SPRING BALANCER

*TIGON Spring Balancer Improves Work Safety and Efficiency*

## SPRING BALANCER series



MODEL	Capacity (kg)	Stroke (m)	Weight (kg)
TW-00	0.5 - 1.5	0.5	0.2
TW-0	0.5 - 1.5	1.0	0.5
TW-3	1.0 - 3.0	1.3	1.4
TW-5	2.5 - 5.0	1.3	1.5
TW-9	4.5 - 9.0	1.3	3.4
TW-15	9.0 - 15.0	1.3	3.8
TW-22	15.0 - 22.0	1.5	7.2
TW-30	22.0 - 30.0	1.5	7.6
TW-40	30.0 - 40.0	1.5	9.8
TW-50	40.0 - 50.0	1.5	10.4
TW-60	50.0 - 60.0	1.5	11.6
TW-70	60.0 - 70.0	1.5	11.8

## RETRACTOR series



MODEL	Capacity (kg)	Stroke (m)	Weight (kg)
RW-0	0.5 - 1.5	2.0	0.5
RW-3	1.0 - 3.0	2.0	0.7
RW-5	2.5 - 5.0	2.0	0.9
TW-06R	0.2 - 0.6	1.5	0.3
TW-1R	0.5 - 1.5	1.5	0.3